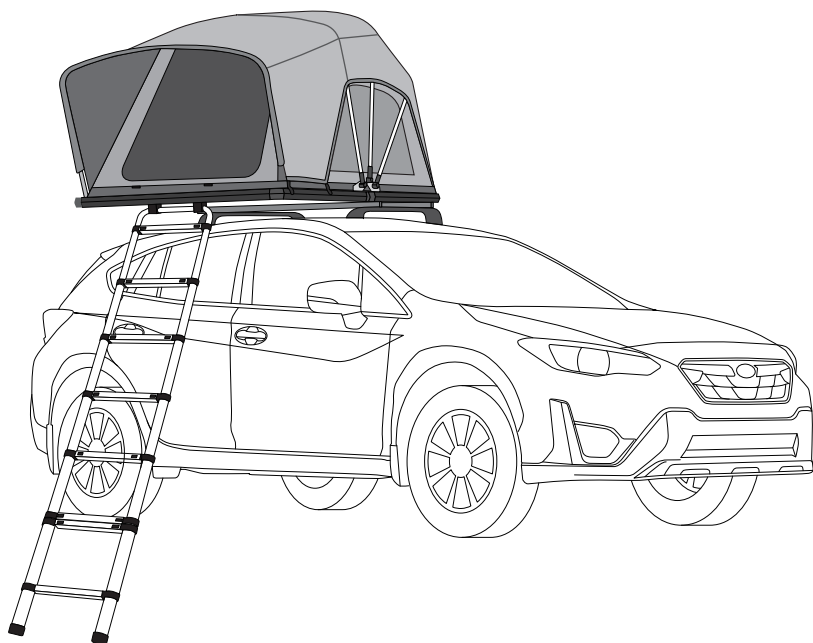


IRONMAN 4x4

UBER LITE



INSTRUCTION MANUAL

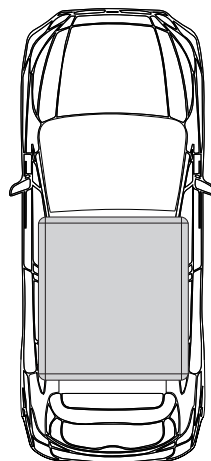
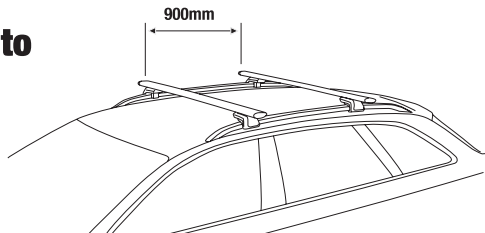
CONTENTS

Before using this product, please follow the instruction manual to ensure proper use.

Installation:	4
Included Tools:	5
Setting Up:	6-7
Folding Down:	8-9
Safety Instructions	10-11

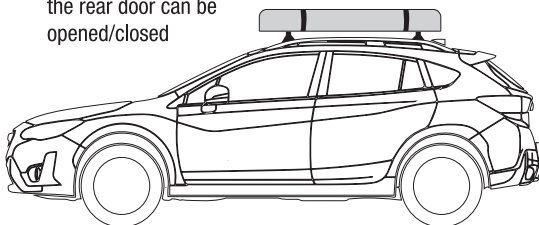
Installation:

Locating Tent to your vehicle



Your Uber Lite Roof Top Tent can be mounted to open to either side of the vehicle. The minimum spacing between the roof rails is to be **900mm/35"** to ensure that the tent is supported correctly, and the weight is evenly distributed.

- 1 Position the tent on the cross bars from car side, adjust the tent to the center, ensuring the rear door can be opened/closed

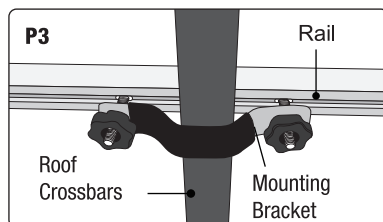
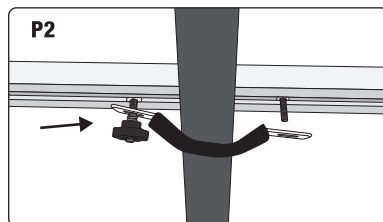
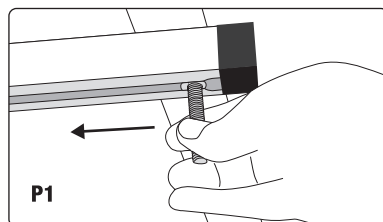
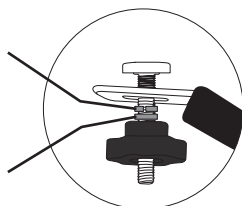


- 2 Select the most suitable length of T bolts to suit the installation. Slide the T bolts into the rails from two sides (as P1) Locate the Mounting Bracket over the T Bolt, position the Spring & Flat Washer and Thumb Wheel to the T bolt and lightly tighten (P2)
- 3

Repeat process for remaining brackets and then fully tighten (P3) all brackets

Spring Washer

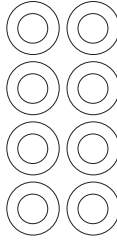
Flat Washer



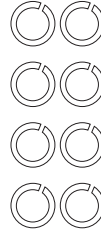
Included Tools:



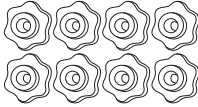
Mounting Bracket (4pcs)



Flat Washer (8pcs)



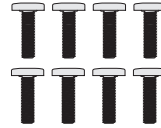
Spring Washer (8pcs)



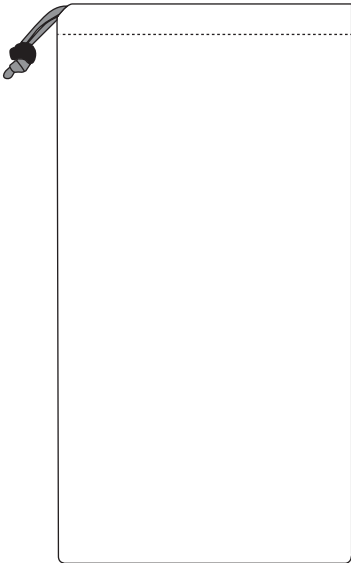
Thumb Wheel (8pcs)



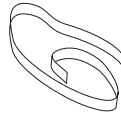
Short T Bolts (8pcs)



Long T Bolts (8pcs)



Cover Storage Bag, (1pc)



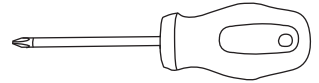
Tent Secure Strap, (1)



Bungee Cord, (2)



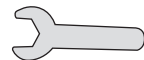
6mm Hex Key (1pc)



Cross Screwdriver (1pc)



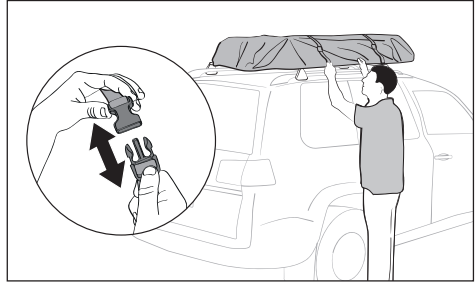
8-10mm open end wrench (1pc)



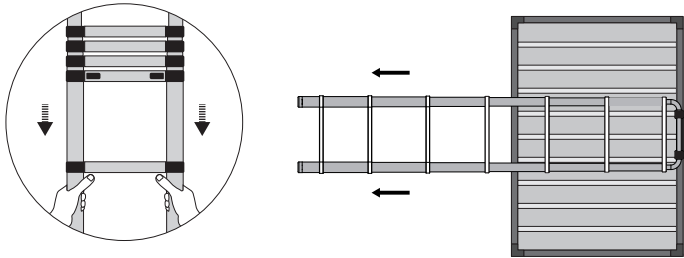
14mm open end wrench (1pc)

Setting up:

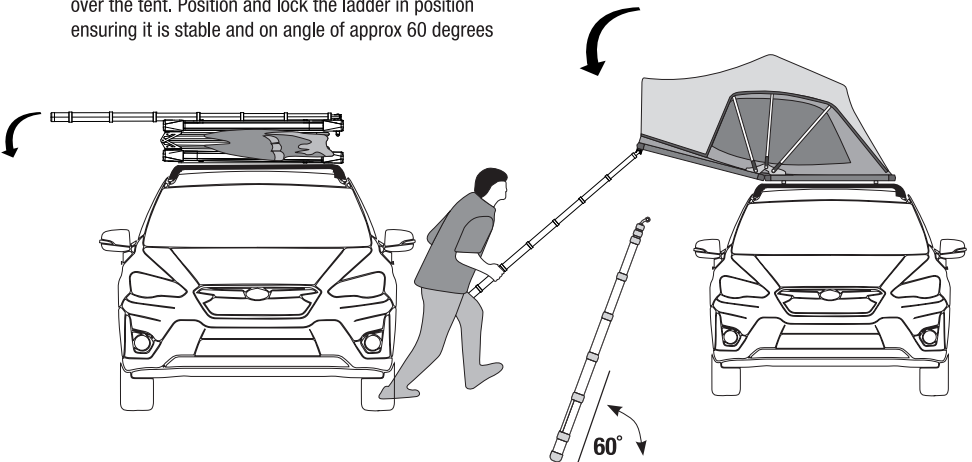
- 1 Release all buckles and remove the protective covers, store in carry bag for protection



- 2 Remove the Tent Securing Strap, release and fully extend the ladder

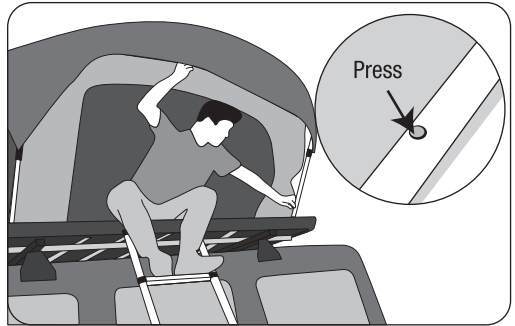


- 3 Hold the bottom of the ladder as a lever to press down and turn over the tent. Position and lock the ladder in position ensuring it is stable and on angle of approx 60 degrees

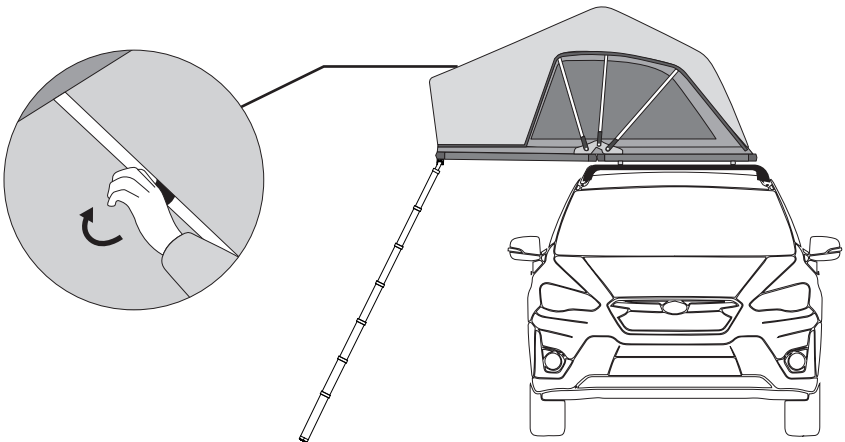


Setting up:

- 4 Extend the awning frame up until the spring loaded pins locate.



- 5 Locate the Awning Roof Pole attached to tent frame and connect to the awning frame. Extend the pole until the awning has tension then lock in place



Pack Up:

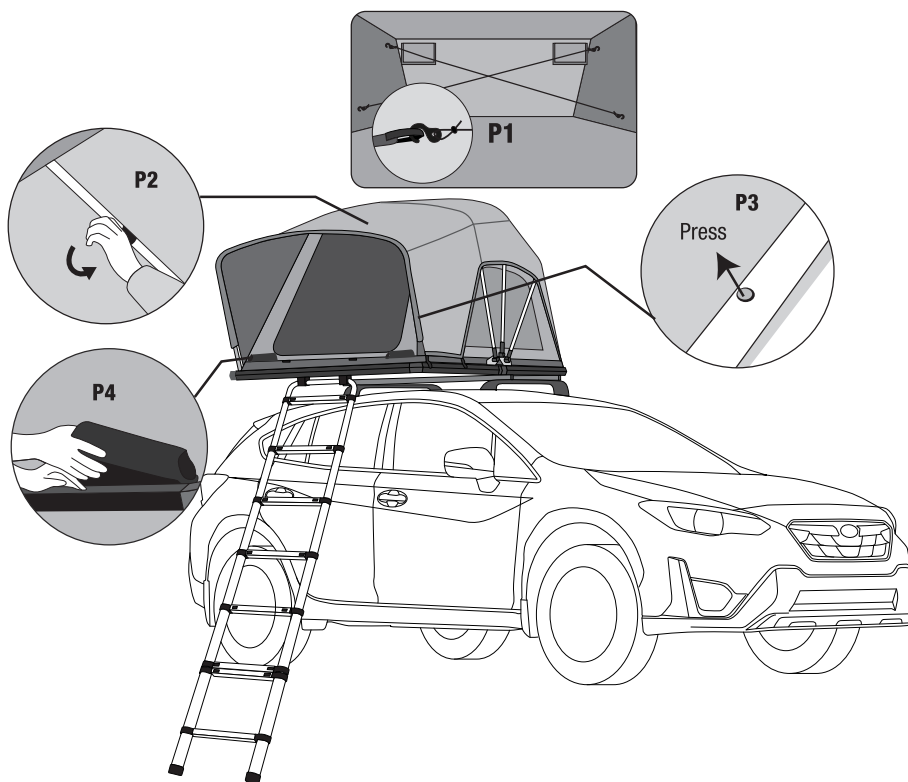
- 1 Remove all bedding and any other articles from the tent.
Close up the side windows and roof vent.

Attach the Bungee Cords (P1) to assist with pulling the fabric into the tent.

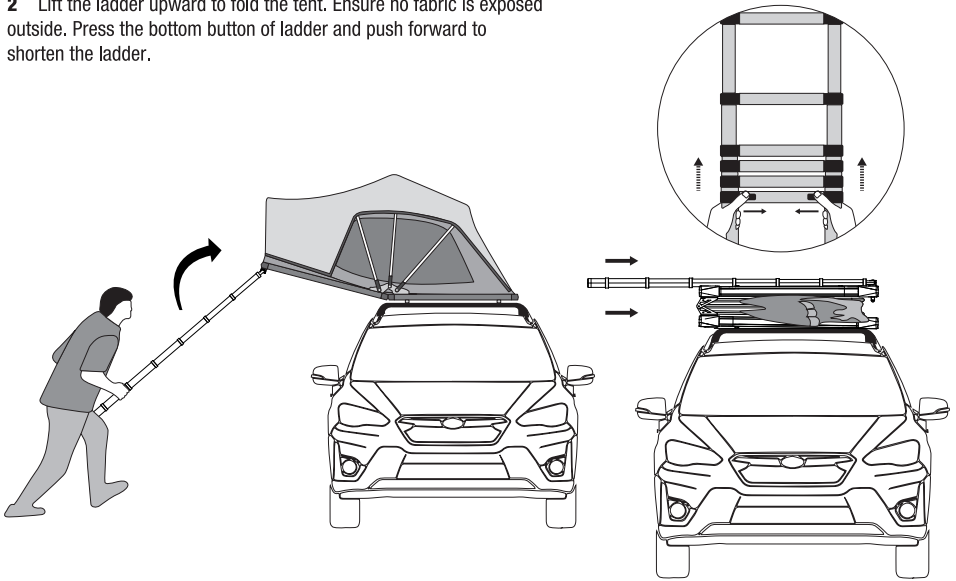
Release the Awning Roof pole and store (P2) Press the spring buttons on the awning frame and lower into place (P3)

Fold and store Boot Bags (P4)

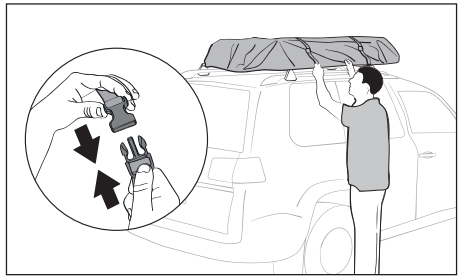
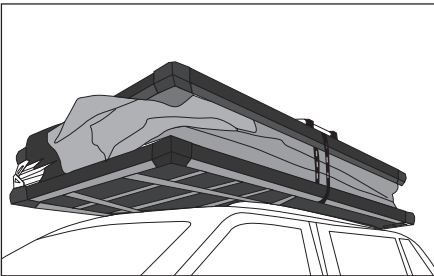
Zip up the door two thirds of the way, ensure that the door is not fully closed as the opening will allow the trapped air to flow from the tent when being closed



2 Lift the ladder upward to fold the tent. Ensure no fabric is exposed outside. Press the bottom button of ladder and push forward to shorten the ladder.



3 Install the Tent Securing Strap to hold the tent closed and then fit and secure the protective cover



Caution

- Avoid storing your tent wet. If conditions dictate that you do, open, and dry out as soon as possible to avoid moisture damage.
- The overall height of your vehicle is increased when driving with your roof top tent.
- The centre of gravity is altered when the rooftop tent is fitted to your vehicle. Adjust your driving to accommodate this change.

Safety Instructions:

- We recommend that you DO NOT drive over 110kmh (70mph) when your roof top tent is installed and that you always adhere to speed limits.
- At the start of every journey and at regular intervals check that your roof tent is firmly fixed to your roof bar and that all of the locking straps are securely fastened. Only ever check you roof tent in a safe and suitable location.
- DO NOT use your roof tent if there is any visible damage to any part of it or its components, instead contact Ironman 4x4 to see how we can help. This is especially applicable to the ladder locking straps and buckles.
- Understand that secured loads and incorrectly mounted roof bars can come lose during journeys and can cause serious accidents.
- Make sure that you give due consideration to the change in your vehicle height and drive behavior (side-wind sensitivity, corner and braking behavior).
- You must always consult your vehicle and roof bar manuals to ensure you are following their advice, these must always be carried in your vehicle along with your roof tent instructions.
- Do not use bleach, alcohol or ammonia based cleaning liquids on your roof tent otherwise the surface of your roof tent will be damaged. Only use soft cleaners and fresh clean water
- Please note the following when using your roof tent:
 - The height of your vehicle can increase by up to 90cm (dependent on your roof bars.
 - Beware of low entrances, low hanging branches, etc.
 - Wind noise may be generated when traveling with a roof tent
 - When using an automatic car-wash facility, your roof tent must first be removed.

- In addition to these instructions, due consideration should also be given to mounting instructions for you roof bars and the operating instructions of your vehicles.
- For reasons of fuel economy and the safety of other road users, your roof tent and roof bars should be removed when not in use.
- For your safety, you should only use tested roof bars that are authorised for usage in conjunction with your vehicle.
- In order to avoid generating excessive lifting forces, your roof tent should be mounted parallel to the line of the road and not at an angle.
- When climbing in and out of your roof tent always use the ladder with due caution and never allow children to use it alone.
- You must not allow any naked flames in or near your tent.

Important Information:

Ironman 4x4 is not liable for any or accident that may occur as a result of non-compliance with these instructions, modifications made to parts or the usage of any parts other than the manufacturers original parts.

The warnings, cautions and instructions in this document can't cover every possible situation, so it is understood by the operator that common sense and caution must be applied. It is your responsibility to pass these instructions on to any third party who uses this roof tent, including second hand sales.

1 YEAR WARRANTY

The offered warranty is limited to manufacturing and materials defects. Not including damage caused by misuse or abuse, wear and tear, condensation, extreme weather, accidents, incorrect set up, damage caused by being stored whilst damp & also excludes broken poles and damage caused by a jammed, snagged zipper or excessive force applied to zipper causing failure. This product is not designed to be used as a permanent dwelling or used in commercial applications as such any claims for warranty may be reviewed subject to the conditions or use and appearance when presented.