

# **IRONMAN 4x4**

---

## **SWIFT 1400**

### ***Instruction Manual***

---

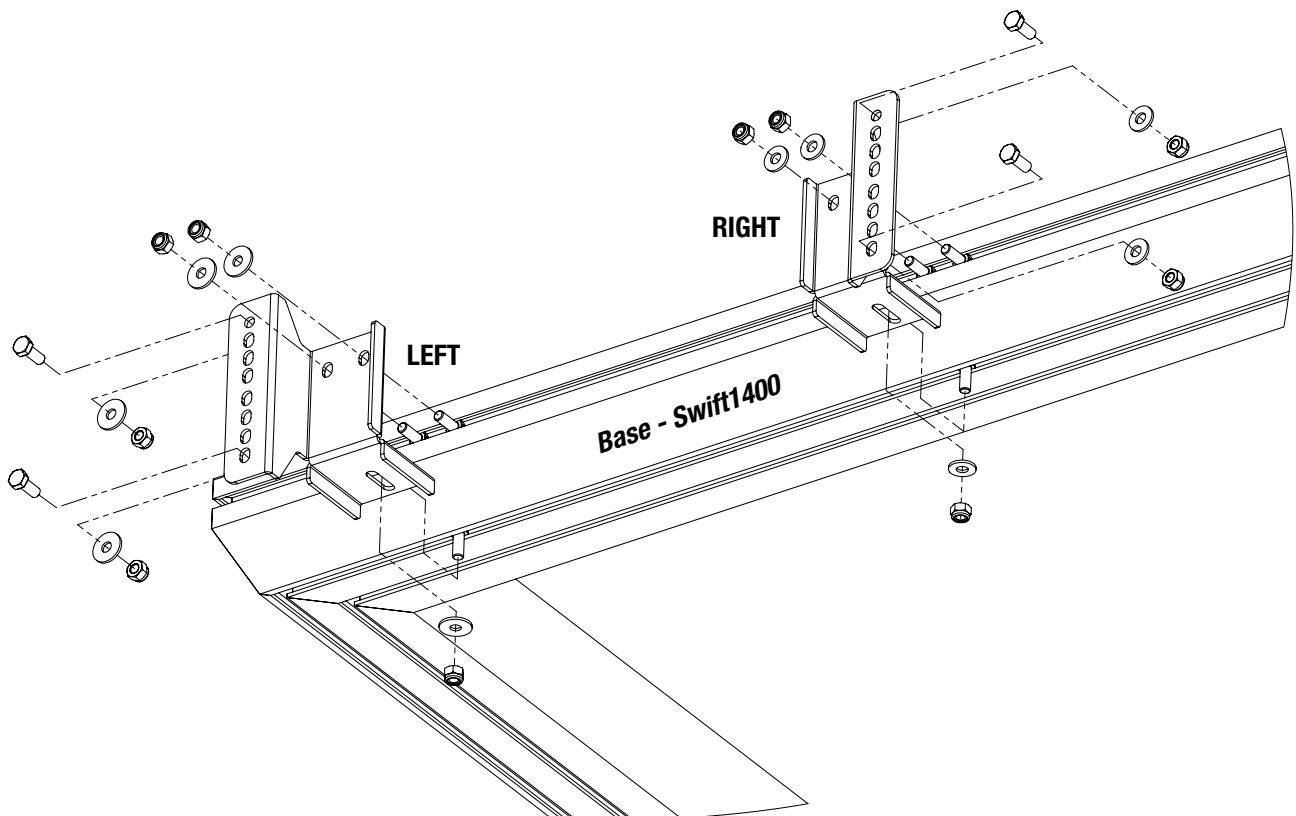
Brackets can be used on either side of the **SWIFT1400 Roof Top Tent** to mount awnings and other accessories

Supplied as Left & Right hand configuration

Secure to base section of **Swift 1400** using the channels on the side and bottom extrusions

Use hardware supplied regularly check all fixings and tighten as required

Once mounted to tent install awning - Max length 2.5mtr / Max weight 35kg



# IRONMAN 4x4

---

## SWIFT 1400

### Instruction Manual

---

Secures **Swift 1400 Roof Top Tent** to your vehicle

Brackets designed to be used with multi fit roof bars and platforms

Can be adjust for angled fitments

Brackets to be used on both sides of tent

**Bracket A** - Secures to tent mounting rails on base of tent can be used to replace standard mounting brackets as supplied with the tent from factory

**Bracket B** - Secures to tent via channels on side of tent base

While the use of either bracket will be suitable for mounting of the tent, it is recommended that both are installed if the tent will be exposed to excessive off road use

Use hardware supplied

