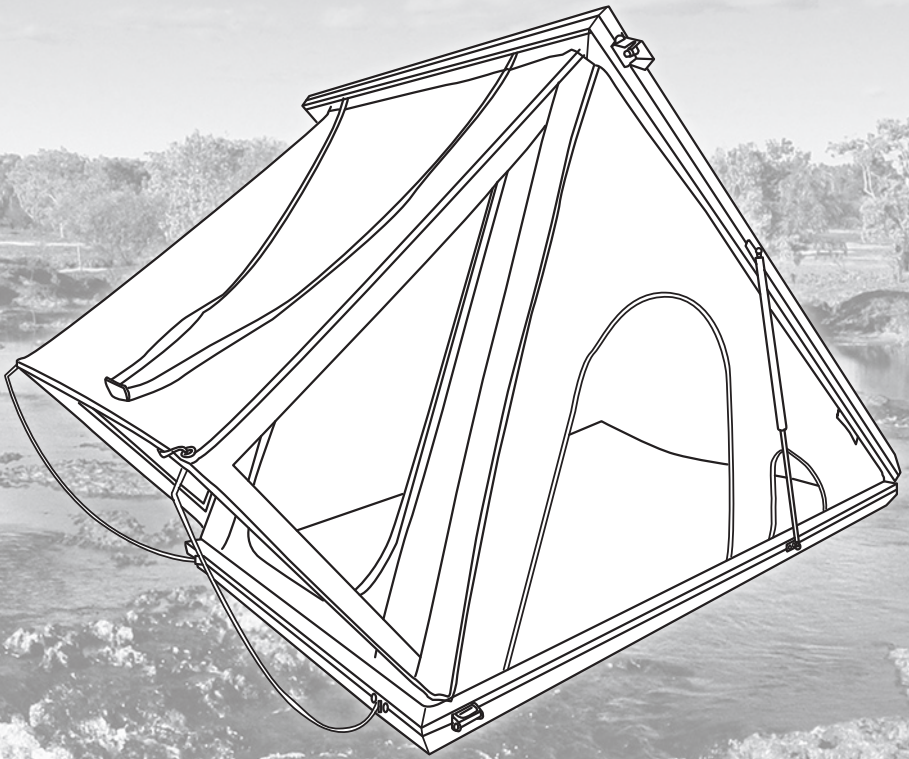




1
YEAR
WARRANTY

IRTT0012

Swift 1400 Roof Top Tent Owner's Manual



IMPORTANT: Please read all procedures and precautions before using the Ironman 4x4 Swift 1400 Roof Top Tent. If you have any questions please contact our customer service department.

www.ironman4x4america.com

Features

TENT

Congratulations on your purchase of the Ironman 4x4 Swift 1400 Hard Top Roof Top Tent. Your Roof Top Tent mounts directly to your roof rack or after market roof bars. The tent opens and is fully setup in just a few minutes. The Swift 1400 Tent is made using the best materials and construction methods that will provide excellent water and wind protection. Most of the components have been fully assembled at the factory making installation a simple process.

WARNING

Incorrect installation or use of your Swift 1400 Roof Top Tent could result in serious injury or death. Please follow these installation instructions carefully to ensure proper installation on your vehicle and safe use of your Roof Top Tent.

It is recommended that you contact your vehicle or accessory manufacturer for specified loading capacity of your roof rack or roof rails. Unfortunately, not all OEM roof racks, rails or after market accessories can safely accommodate all tent models or styles.

Accessory inclusions, such as Roof Top Tents can change the normal vehicle handling and the manufacturer disclaims all responsibility in case of accidents due to improper use, improper maintenance, or checking the tightness of the brackets regarding the installation of the roof rack system.

INSPECTIONS:

It is recommended that you regularly check all fasteners & fittings in your Roof Top Tent and vehicle mounting system are tight and in good repair. This includes hinges, ladder, and mounting track.

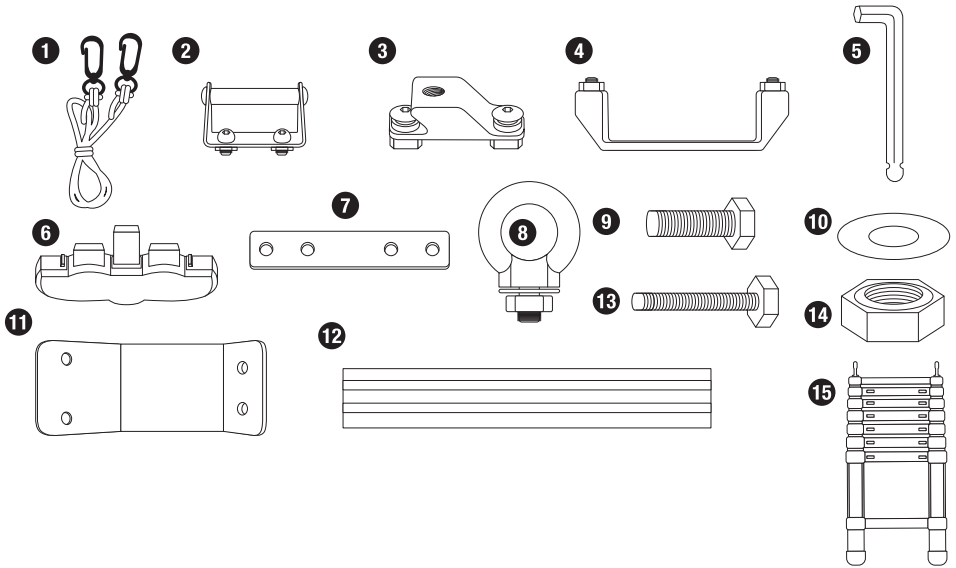
For your safety and protection, ensure correct placement and angle of ladder. **DO NOT CLIMB ON LADDER UNTIL CORRECT ANGLE IS ACHIEVED** (approx. 70 to 75 degrees Between ladder and ground). **NOTE:** If the angle of the ladder is at 90 degrees and/ or does not reach the ground, you will need a ladder extension or longer extendible ladder.

SAFETY WARNING

- KEEP ALL FLAME AND HEAT SOURCES AWAY FROM THE TENT MATERIALS. UNDER NO CIRCUMSTANCE SHOULD ANY NAKED FLAME SOURCES OR HEATING DEVICES BE USED INSIDE OR NEAR THE TENT.
- DO NOT OPERATE ANY DEVICE WHICH BURNS FUEL INSIDE OF THE TENT. KEEP EXIT CLEAR.



Parts



- | | |
|---|-----------------------------------|
| 1. Internal Bungee Strap x 1 | 9. Short Bolt x 16 |
| 2. Ladder Support Bracket x 2 | 10. Flat Washer x 24 |
| 3. Awning Stay Mount x 2 | 11. Roof Bar Mounting Bracket x 4 |
| 4. Lid Handle x 1 | 12. Roof Bar x 2 |
| 5. Lid Latch Key x 1 | 13. Long Bolt x 8 |
| 6. Extrusion Plastic End Cap and Screws x 8 | 14. Nylock Nut x 24 |
| 7. Mounting Plate x 4 | 15. Ladder x 1 |
| 8. Roof Bar Mounting Eyelets x 4 | 16. Awning Stay x 2 |

STEP 1

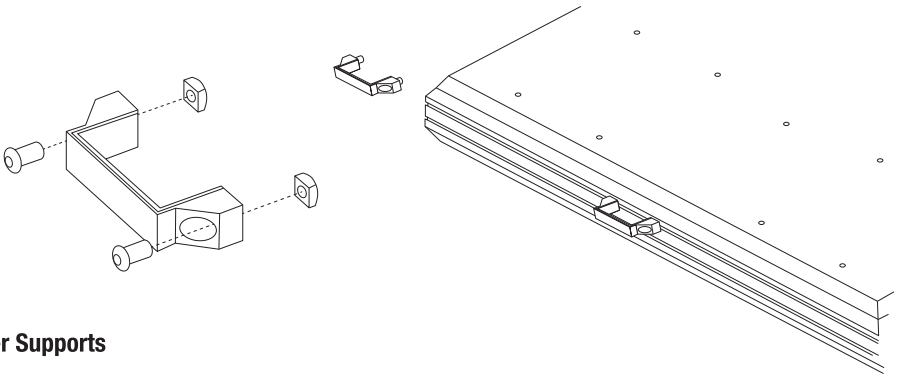
Find a flat area to work & open the carton. This will provide a clean surface to work on whilst tent is being set up. Check that all components are supplied.

Assembly of Components

STEP 2: Assembly of components

Tent lift handle

This handle is located in the top section of the tent at the opposite end to the hinges, insert the assembled handle into the channel of the top section, centre and tighten.

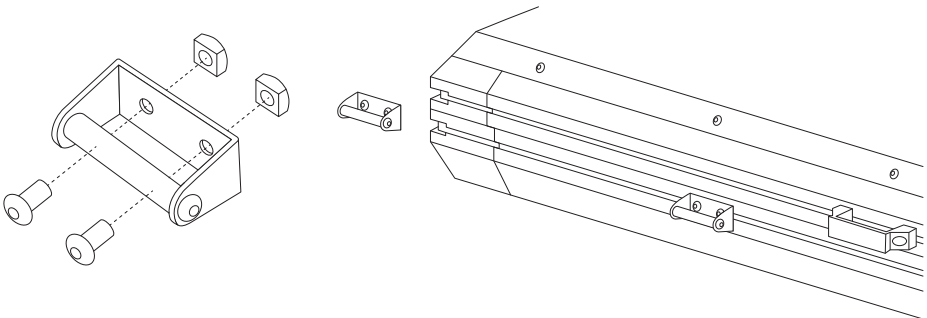


Ladder Supports

Identify the required entry point to the tent as this will determine the position of the ladder brackets. Position the ladder brackets approx. 430mm apart in the centre of the desired entry point.

Tip: Temporarily remove the horizontal bar on the ladder bracket to better access the hex bolts.

Note: If using a side entry, the bottom half of the lock mechanism will need to be temporarily

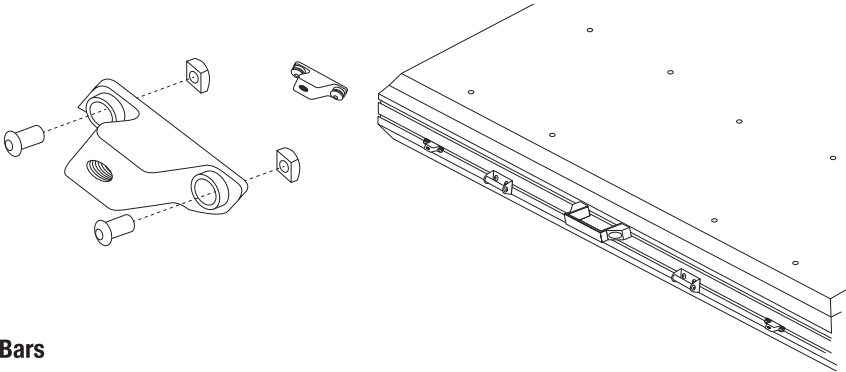




Assembly of Components

Awning Stay Mount

Locate these at the rear of the tent on the bottom section & position 70mm in from the edge and ensures the extended tabs are facing toward the outside edge of the tent.



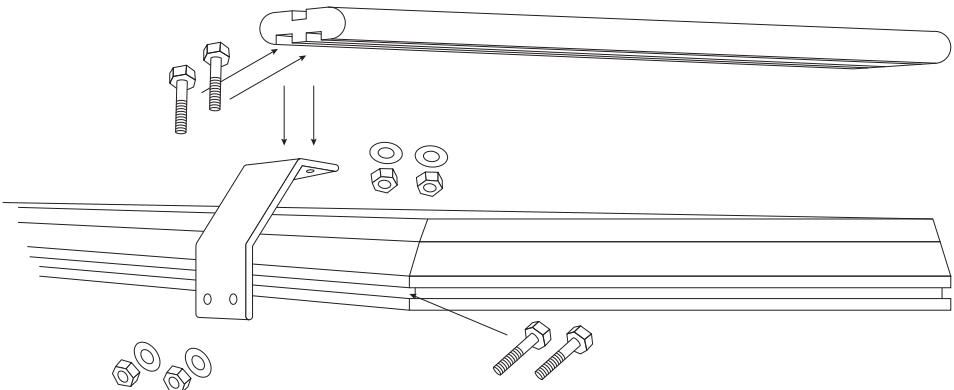
Roof Bars

The Swift 1400 is supplied with two (2) roof bars that are fitted to the side channels on the roof lid.

Slide the heads of 2 x 20mm M8 bolts into the channel of the roof lid near desired location. Locate the holes on the bottom of the bracket (long side) and place over the bolts. Fit washer and Nylock nut and leave loose. Repeat for opposite side.

Slide the 20mm M8 bolts in to the two channels on the underside of the roof bar and then attach to the side brackets, loosely attach the Washer & Nylock nuts.

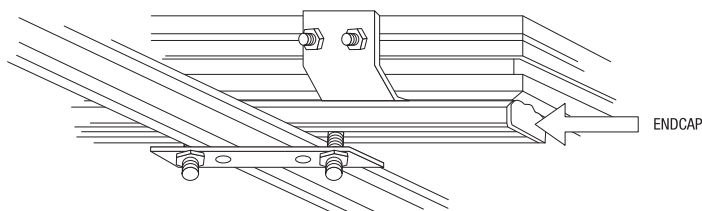
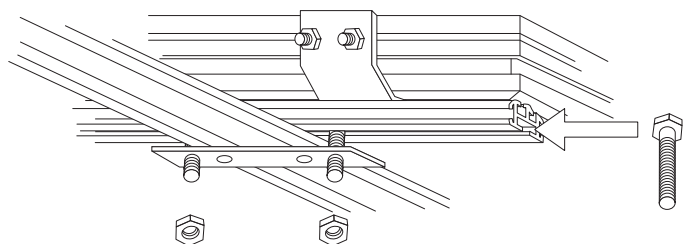
Once the rails are in the correct location tighten all fixings, locate the Mounting Eyelets and tighten then fit the plastic end caps.



Fitting the Roof Top Tent to your Roof Rack

Before lifting the tent to the roof of the car, slide a M8x55mm bolt into each channel on the base mounting rails.

1. Using a minimum of 2 people, lift the roof top tent to the roof of car and locate in the desired position, ensuring that a bolt is on either side of the roof rails.
2. Locate the Mounting Plate over the bolts and secure with the washers & Nylock nuts, repeat on the 3 remaining mounting points.
3. Check that the tent is in the correct position before tightening the fittings and inserting the plastic end caps into the mounting rails.



CAUTION

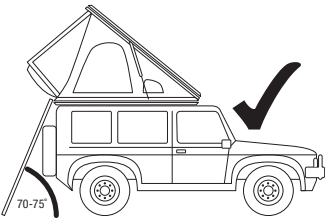
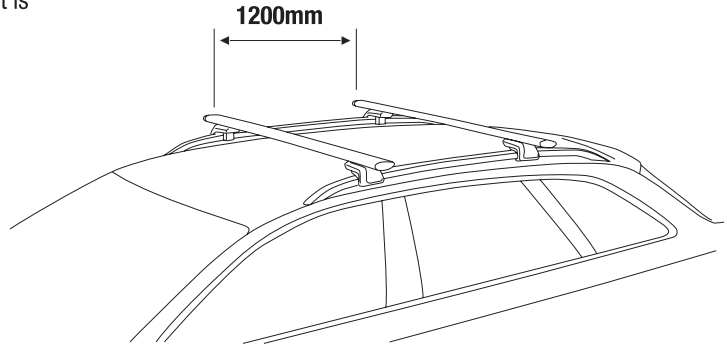
- Avoid storing your tent wet. If conditions dictate that you do, open, and dry out as soon as possible to avoid moisture damage.
- The overall height of your vehicle is increased when driving with your roof top tent.
- The centre of gravity is altered when the rooftop tent is fitted to your vehicle. Adjust your driving to accommodate this change.



Locating Tent to your Vehicle

Your Swift 1400 Roof Top Tent is to be located so it will open to the rear of the vehicle.

The minimum spacing between the roof rails is to be **1200mm** to ensure that the tent is supported correctly, and the weight is evenly distributed.



Set Up

Once the Swift 1400 is fixed securely to the vehicle's roof rack and the vehicle is positioned with the hand brake applied, attach the ladder, and ensure that it is secure and is locked in position and on an angle of 70 to 75 degrees

- Release the locks on either side of the tent & climb the ladder, lift the lid with the handle until the gas struts take over. Once open, lower the shock cord that is used to secure the canvas when packing away and locate in both corners of the base.
- Locate the flexible awning stays into the mounts on the front edge of the tent base, flex these and locate in the eyelets on the awning, unzip entry door and enter the roof top tent.
- Locate the safety pole on the left-hand side (beside the mattress) and extend to the roof and twist to lock in position – It is recommended that the safety pole is always in position when using the tent.
- Remove the bungee strap that is positioned across the inside of the tent before being used.

Closing & Storage

- It is possible to leave sleeping bags and pillows on the mattress if laid flat, however these may need to be removed if it is difficult to close the tent, as this may put excessive pressure on hinges and latches that may cause failures or damage to the tent.
- Re-attach the bungee strap to the locating points with “O” rings sewn to the internal wall of the tent, it is recommended that the side windows are left partially open to allow any trapped air to escape when the top is being closed.
- Release and store the safety pole, exit the tent, and detach the flexible awning stays and store.
- Return the external shock cord to the centre of the fabric to allow the canvas to be pulled toward the centre of the tent.
- Using the storage strap, pull the lid in a downwards direction, as the lid is being pulled down check that the canvas is tucked in and is not trapped between the rubber seal around the edge of the tent body, secure the strap and excess fabric and lock the latches then store the ladder.

1 YEAR WARRANTY

The offered warranty is limited to manufacturing and materials defects. Not including damage caused by misuse or abuse, wear and tear, condensation, extreme weather, accidents, incorrect set up, damage caused by being stored whilst damp & also excludes broken poles and damage caused by a jammed, snagged zipper or excessive force applied to zipper causing failure.

This product is not designed to be used as a permanent dwelling or used in commercial applications as such any claims for warranty may be reviewed subject to the conditions or use and appearance when presented.

IRT0012/110921