



**Toyota Hilux 2015+
Toyota Fortuner 2015+ Underbody Protection.
Engine Type: 2.8L Turbo Diesel (4WD)**

Part Number: UBP051

UNDERBODY PROTECTION:

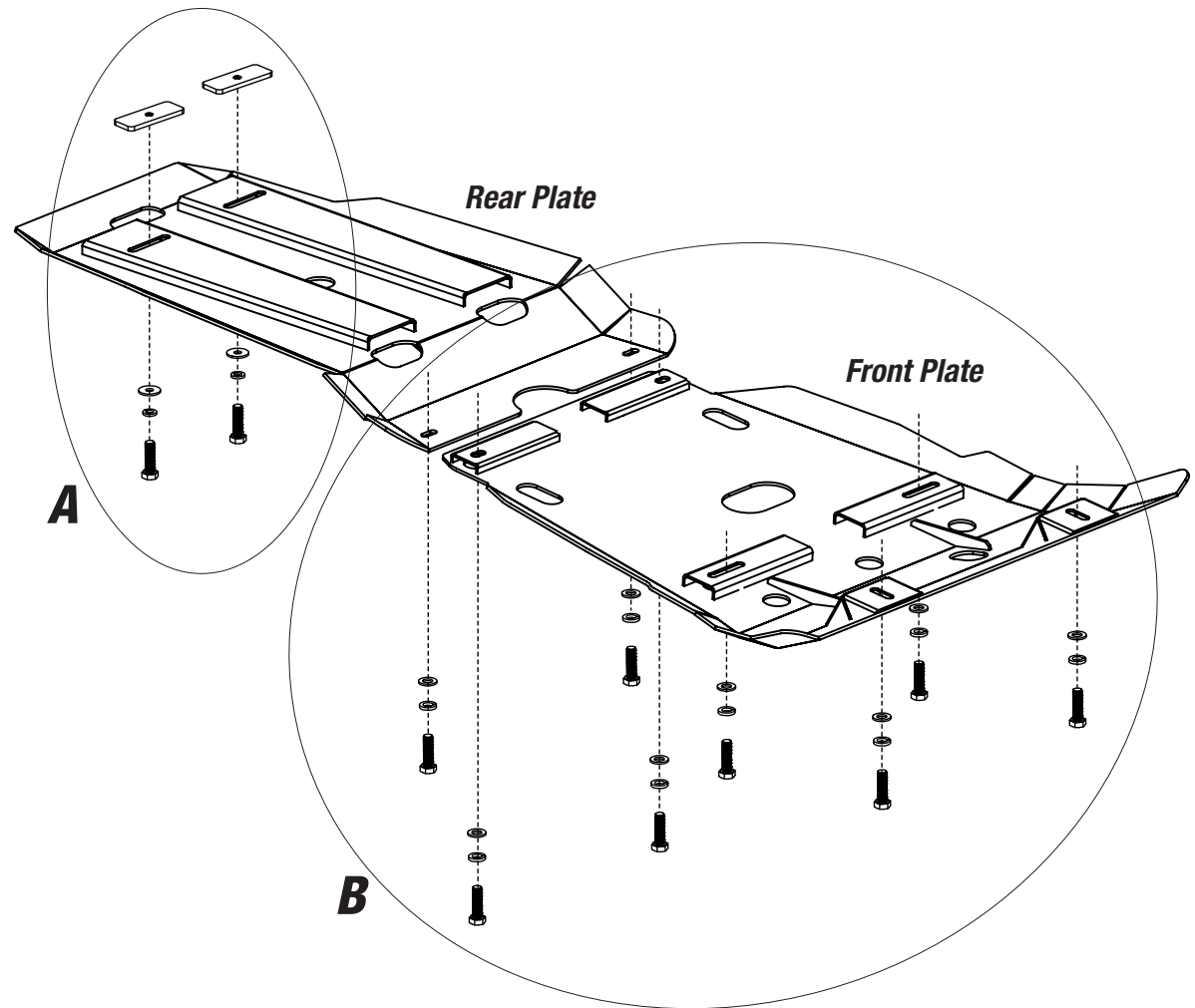
These protection plates have been designed for installation for the intended application only. They should be mounted according to these installation instructions by an experienced Ironman 4x4 dealer or certified fitter. The plates are fixed to original vehicle mountings located on the vehicle's body load-bearing elements. Upon successful installation the plate should not interfere with any other parts or components.

Ironman 4x4 recommend the use of a floor or transmission jack to assist with the installation of underbody protection plates.

INSTALLATION:

1. Remove original protection plates
2. Position (Rear Plate) and loosely thread all fasteners into place before tensioning. Refer Illustration.
3. Position (Front Plate) and loosely thread all fasteners into place before tensioning, including fasteners joining front and rear plates. Refer Illustration.

WARRANTY: 2 years.



WARRANTY TERMS:

The plate should only be installed on a vehicle with undamaged body and load-bearing elements, vehicles which have been involved in a significant collision may prevent successful installation.

Thread:	M8 x 1.25	M10 x 1.25
Tightening Torque:	30 Nm	52 Nm

A

Bolt M10 x 35 Qty: 2 Spring Washer M10 Qty: 2 Flat Washer M10 Qty: 2 Threaded Plate Qty: 2

B

Bolt M8 x 25 Qty: 8 Spring Washer M8 Qty: 8 Flat Washer M8 Qty: 8