



**Fitment Instructions**

**Model: MITSUBISHI Triton ML / L200**

**Underbody Protection Plate**

**Part Number: IUP010F**

**Fuel Tank**

**Years: 2006-**

**Engine type: 2,5TD**

**APPLICATION:**

Protection of engine bay and transmission elements from damage.  
Protection of engine bay and transmission elements from dust and water.

**INSTALLATION:**

This protection plate has been designed for installation to the intended application only. It should be mounted according to these installation instructions by an experienced Ironman 4x4 dealer or certified fitter. The plate is fixed to original vehicle mountings located on the vehicle's body load-bearing elements. Upon successful installation the plate should not interfere with any other parts or components.

**INSTALLATION MANUAL:**

1. Disassemble the plate into component parts.
2. Install front bracket to vehicle's OE bracket according to the diagram.
3. Install rear bracket to tank's OE fastening bolts.
4. Install the plate to the mounting brackets.
5. Tighten all screw joints.

**WARRANTY:**

Warranty period - 12 Months

**WARRANTY TERMS:**

The plate should only be installed on a vehicle with undamaged body and load-bearing elements, vehicles which have been involved in a significant collision may prevent successful installation.

Ironman 4x4 does not bear liability for any damages caused to the vehicle, or injury to persons in case of installation or product failure. Ironman 4x4 has a right to introduce changes into the skid plate construction.



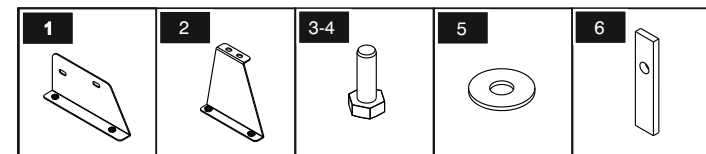
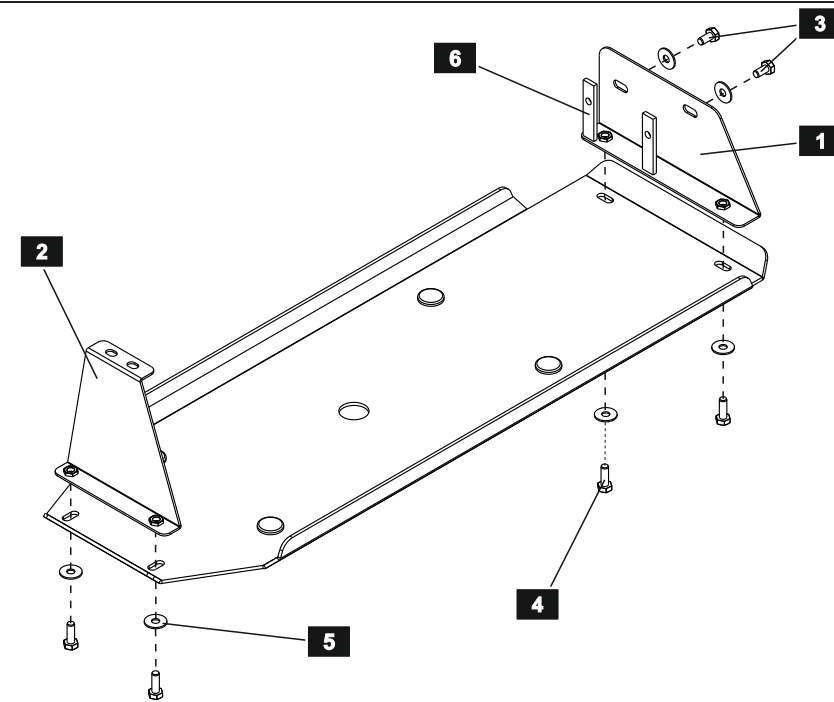
The Quality Management System at production has been audited by Bureau Veritas Certification and conforms to requirements of the ISO 9001:2008 standard.

[www.ironman4x4.com](http://www.ironman4x4.com)

**IRONMAN 4X4  
MELBOURNE SHOWROOM**  
Cnr Centre & Westall Roads,  
Clayton, Victoria 3168  
Telephone +61 3 9532 1111

**IRONMAN 4X4  
BRISBANE SHOWROOM**  
1 Hinkler Court  
Brendale, QLD, 4500  
Telephone (07) 3482 9500

**IRONMAN 4X4  
PERTH SHOWROOM**  
Unit 9/511 Abernethy Road  
Kewdale, WA, 6105  
Telephone (08) 6254 4444



**LIST OF PARTS**

NO.	NAME	QTY.	NO.	NAME	QTY.
1	Front Bracket	1	5	Washer 10	6
2	Rear Bracket	1	6	Threaded insert	2
3	Bolt M10x20	2	7		
4	Bolt M10x30	4	8		

Thread	M6x1.0	M8x1.25	M10x1.5	M12x1.75
Tightening torque	9.8 Nm	24.0 Nm	47.0 Nm	81.0 Nm